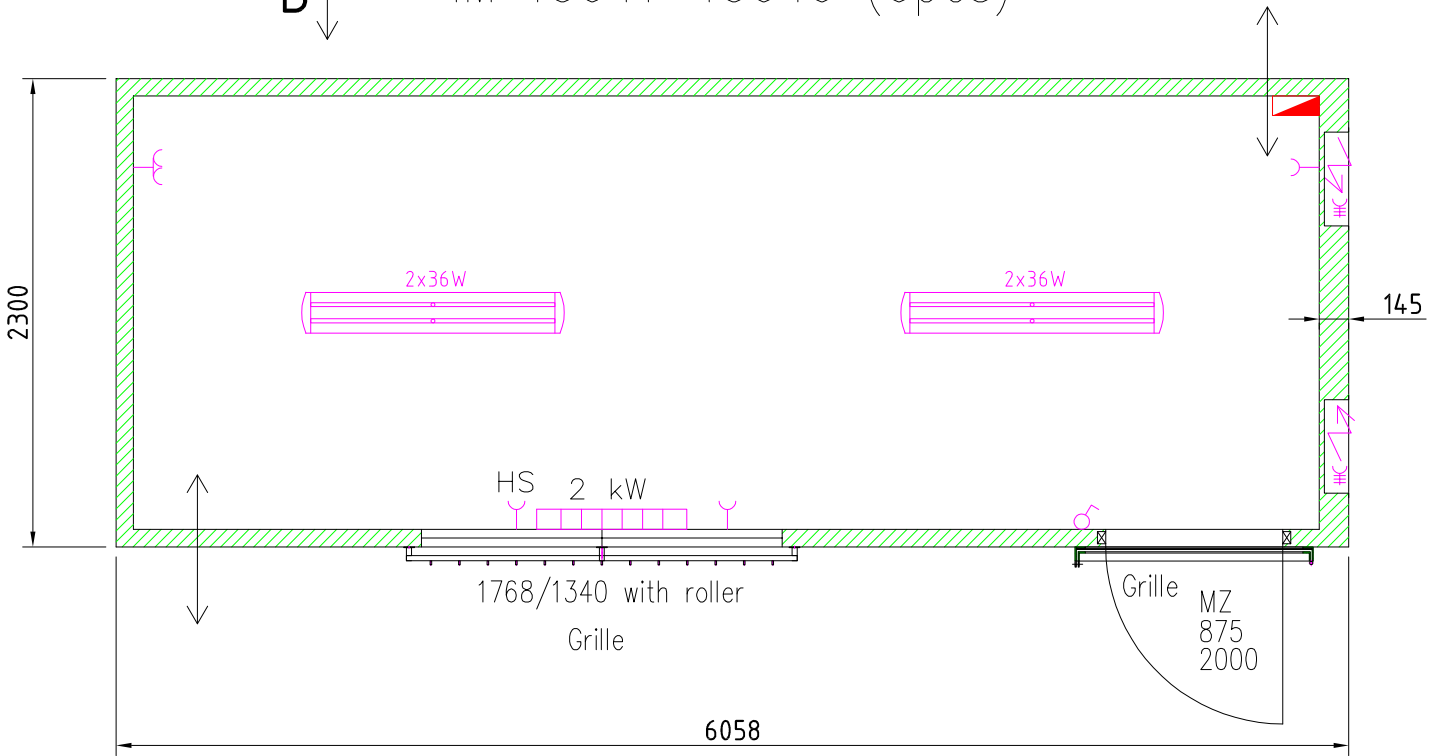


VIEW

B ↓

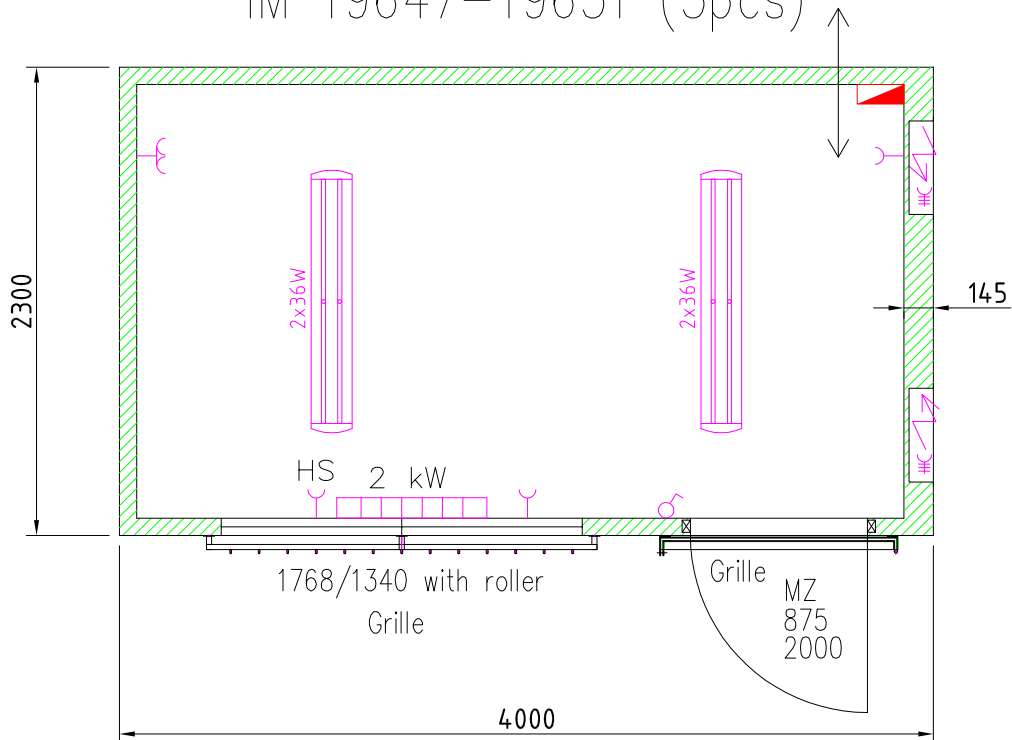
IM 19641-19646 (6pcs)



D →  
VIEW

IM 19647-19651 (5pcs)

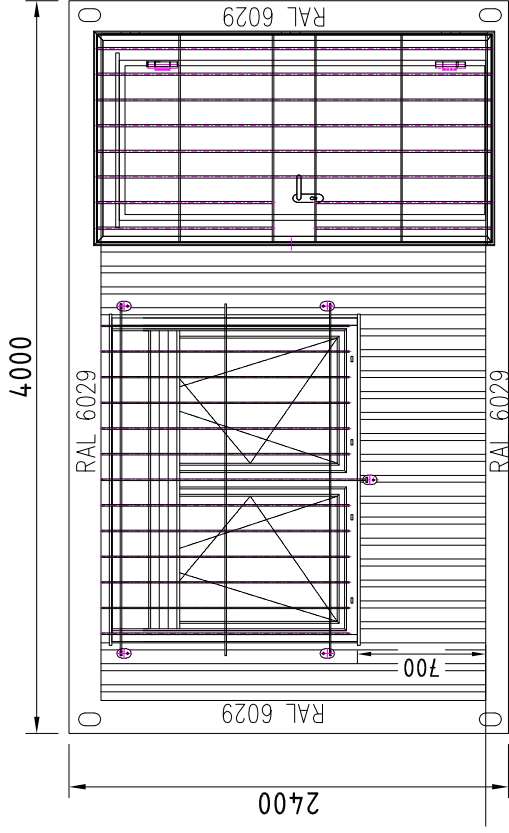
←  
C  
VIEW



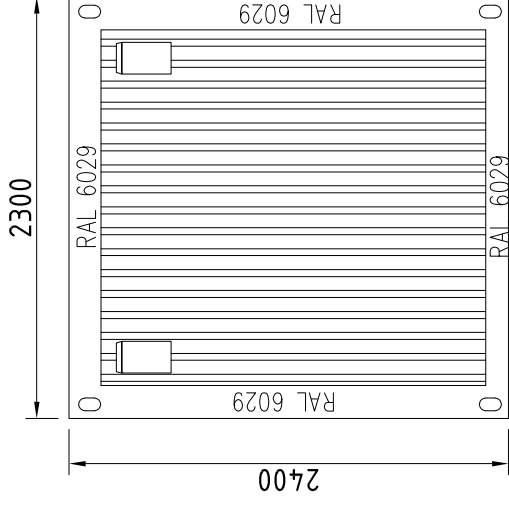
↑  
A  
VIEW

IM 19647-19651 (5pcs)

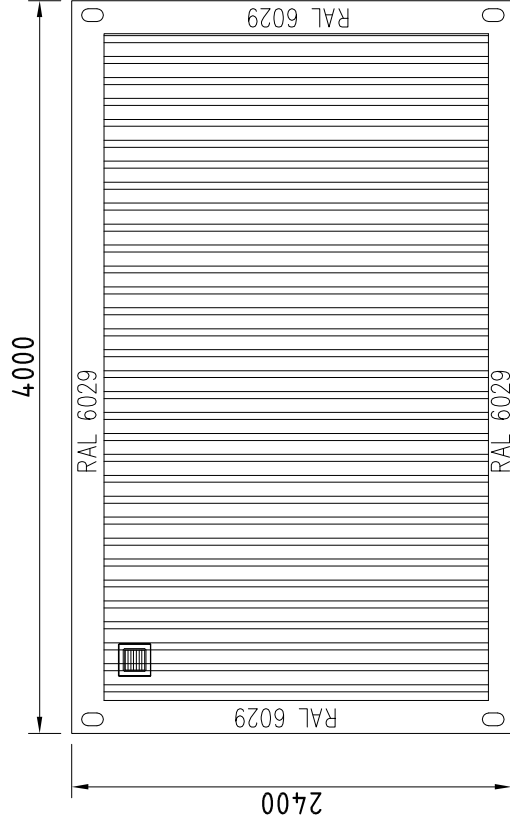
VIEW A



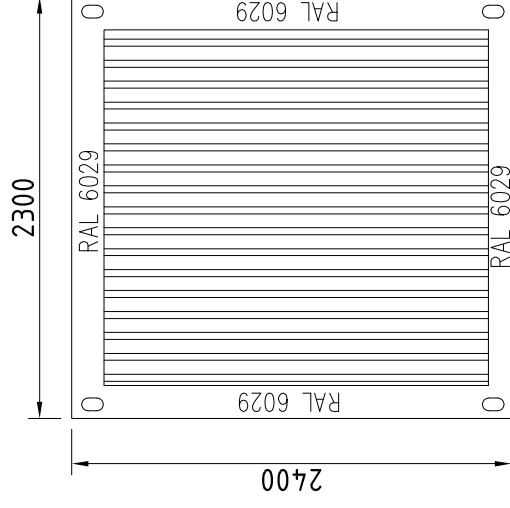
VIEW C



VIEW B

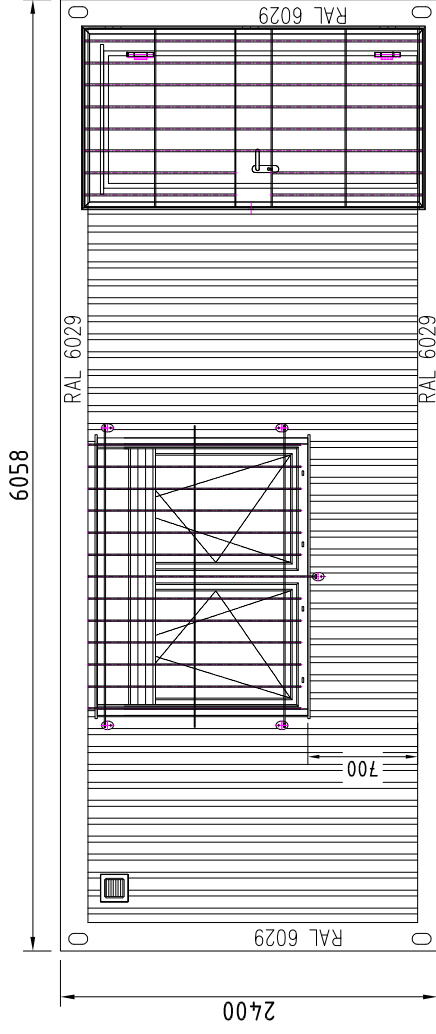


VIEW D

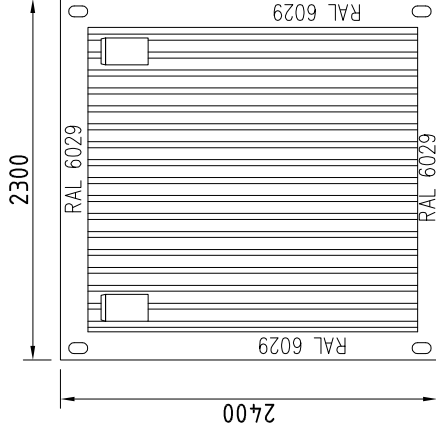


IM 19641-19646 (6pcs)

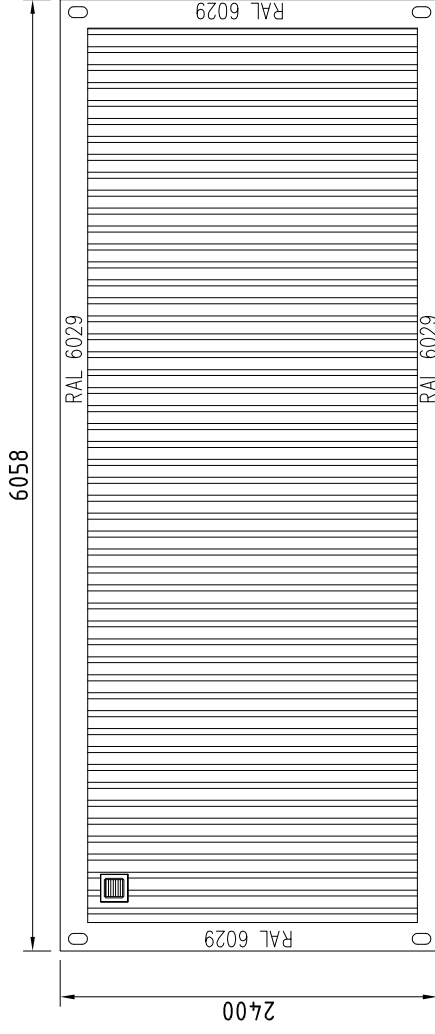
VIEW A



VIEW C



VIEW B



VIEW D

